

TOWN: NEWBURGH ZONE: R1 TOTAL AREA: 20,018 SF		
	REQUIRED	PROPOSED
MINIMUM LOT AREA	40,000 SF	**20,018 SF
MINIMUM YARDS		
FRONT	50'	50'
REAR	40'	120'
SIDE 1	30'	30'
SIDE BOTH	80'	**55'
MINIMUM LOT WIDTH	150'	**114'
DEPTH	150'	200'
MAXIMUM BUILD. COVERAGE	10%	7.5%
MINIMUM BUILDING SF	1500 SF	1500 SF

** AREA VARIANCE REQUIRED

SEPTIC SYSTEM DESIGN DATA:

PERCOLATION DATA	PT1 24" DEEP STABILIZED RATE- 33 MIN/INCH	07/12/23
	PT2 24" DEEP STABILIZED RATE- 28 MIN/INCH	07/12/23
DEEP PIT DATA	DT1 52" DEEP 0"-6" TOP SOIL 6"-52" SILTY LOAM NO ROCK, NO WATER	07/12/23
	DT2 60" DEEP 0"-6" TOP SOIL 6"-36" SILTY LOAM 36"-60" CLAY LOAM NO ROCK, NO WATER	07/12/23
DESIGN DATA	1. NO. OF BEDROOMS - 4(MAX) 2. DAILY FLOW - 440 G.P.D. 3. SEPTIC TANK CAPACITY - 1,250 GAL. 4. STABILIZED PERCOLATION RATE- 33 MIN/INCH	
	5. ABSORPTION FIELD LENGTH- REQ'D (4BDRM)- 148 L.F. PROVD- 3052LF = 156 L.F. 39 ELJEN UNITS 6. FILL REQUIRED - NONE	

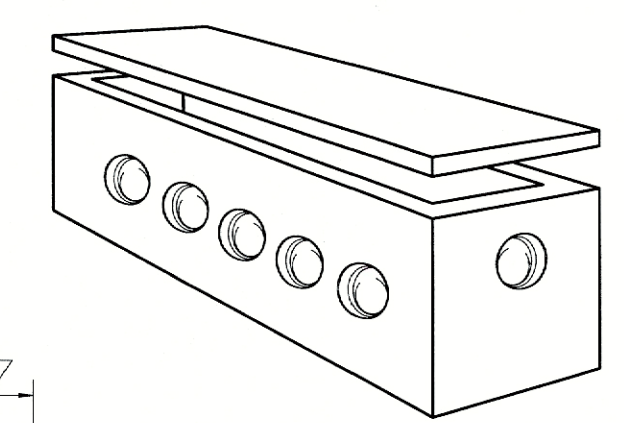
*LOW FLOW FIXTURES TO BE USED PER O.C.H.D. REGULATIONS.

SEPTIC SYSTEM GENERAL NOTES:

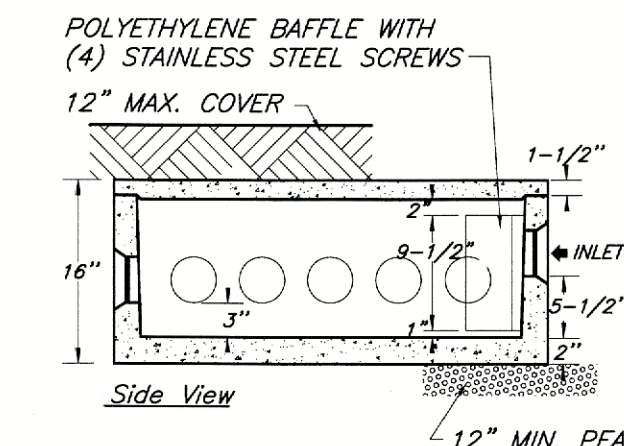
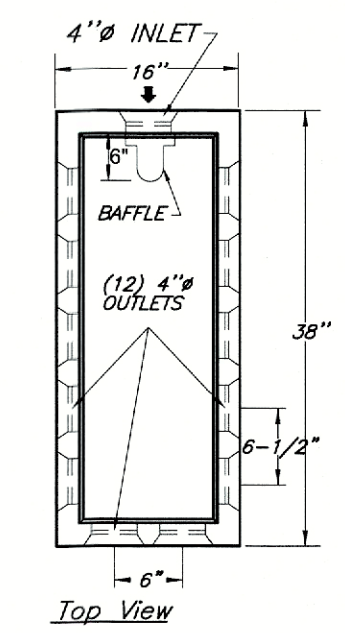
- ALL PORTIONS OF THE SEPTIC FIELD WILL BE A MINIMUM DISTANCE OF 200 FEET UP SLOPE AND 100 FEET DOWN SLOPE FROM ANY WELL.
- SEPTIC TANK TO BE LOCATED A MINIMUM DISTANCE OF 10 FEET FROM ANY BUILDING OR PROPERTY LINE.
- CELLAR DRAINS, ROOF DRAINS OR FOOTING DRAINS SHALL NOT BE DISCHARGED IN THE VICINITY OF ABSORPTION FIELD.
- NO SWIMMING POOLS, DRIVEWAYS, OR STRUCTURES THAT MAY COMPACT THE SOIL SHALL NOT BE CONSTRUCTED OVER ANY PORTION OF THE ABSORPTION FIELD.
- NO TRENCHES TO BE INSTALLED IN WET SOIL.
- RAKE SIDES AND BOTTOM OF TRENCH PRIOR TO PLACING GRAVEL IN ABSORPTION TRENCH.
- GROUT ALL PIPE PENETRATIONS TO CONC. SEPTIC TANK & DISTRIBUTION BOX.
- DISTRIBUTION LINE ARE TO BE CAPPED.
- THE PERIMETER OF THE ABSORPTION FIELD SHOULD BE GRADED TO DIVERT SURFACE WATER.
- ALL NEWLY DISTURBED AREAS SHALL BE IMMEDIATELY STABILIZED UPON CONSTRUCTION COMPLETION USING GRASS SEED & MULCH.
- NO SEWAGE SYSTEM SHALL BE PLACED WITH IN 35' OF ANY WATER COURSE DRAINAGE DITCH.
- ALL LAUNDRY AND KITCHEN WASTES SHALL BE DISCHARGED INTO SEWAGE SYSTEM.
- BENDS SHALL BE USED WHEN ENTRANCE OR EXIT FROM SEPTIC TANK IS NOT APPROXIMATELY STRAIGHT. IF BENDS ARE USED AT POINTS OTHER THAN ENTRANCE OR EXIT POINTS, THEN A CLEANOUT IS REQUIRED.
- THE DESIGN AND LOCATION OF THE SANITARY FACILITIES SHALL NOT BE CHANGED WITHOUT RESUBMISSION FOR APPROVAL.
- HEAVY EQUIPMENT SHALL BE KEPT OFF THE AREA OF THE ABSORPTION FIELDS EXCEPT DURING THE ACTUAL CONSTRUCTION. THERE SHALL BE NO UNNECESSARY MOVEMENT OF CONSTRUCTION EQUIPMENT IN THE ABSORPTION FIELD AREA BEFORE, DURING, OR AFTER CONSTRUCTION. EXTREME CARE MUST BE TAKEN DURING CONSTRUCTION SO AS TO AVOID ANY UNDUE COMPACTION THAT COULD RESULT IN A CHANGE OF THE ABSORPTION CAPACITY OF THE SOIL ON WHICH THE DESIGN WAS BASED.
- THIS SYSTEM WAS NOT DESIGNED TO ACCOMMODATE GARBAGE GRINDERS, JACUZZI TYPE SPA TUBS OVER 100 GALLONS, OR WATER CONDITIONERS, AS SUCH, THESE ITEMS SHALL NOT BE INSTALLED UNLESS THE SYSTEM IS REDESIGNED TO ACCOUNT FOR THESE.
- THERE MUST BE AN UNINTERRUPTED POSITIVE SLOPE FROM THE SEPTIC TANK (OR ANY PUMPING OR DOSING CHAMBER) TO THE HOUSE, ALLOWING SEPTIC GASES TO DISCHARGE THROUGH THE STACK VENT.
- THE OWNER/APPLICANT SHALL BE PROVIDED WITH A COPY OF THE APPROVED PLANS AND AN ACCURATE AS-BUILT DRAWING OF ANY EXISTING SANITARY FACILITIES.
- THE DESIGN ENGINEER WILL BE REQUIRED TO CERTIFY THE COMPLETED DISPOSAL FACILITY WITH AN AS-BUILT DRAWING SUBMITTED TO THE TOWN PRIOR TO CERTIFICATE OF OCCUPANCY BEING ISSUED.
- THERE SHALL BE NO REGRADING, EXCEPT AS SHOWN ON THE APPROVED PLANS, IN THE AREA OF ABSORPTION FIELDS.
- SEPTIC TANKS SHALL BE INSPECTED PERIODICALLY PUMPED EVERY 2-3 YEARS.
- DISTRIBUTION BOXES/DROP BOXES SHOULD BE INSPECTED PERIODICALLY TO ASSURE THAT THEY ARE LEVEL AND OPERATING PROPERLY.
- A NYS LICENSED PROFESSIONAL ENGINEER SHALL INSPECT THE SANITARY FACILITIES AT THE TIME OF CONSTRUCTION. THE ENGINEER SHALL CERTIFY TO THE ORANGE COUNTY DEPARTMENT OF HEALTH AND THE LOCAL CODE ENFORCEMENT OFFICER THAT THE FACILITIES HAVE BEEN INSTALLED IN ACCORDANCE WITH THE APPROVED PLANS AND THAT ANY SEPTIC TANK JOINTS HAVE BEEN SEALED AND TESTED FOR WATER TIGHTNESS.

STANDARD NOTES:
THE DESIGN, CONSTRUCTION AND INSTALLATION SHALL BE IN ACCORDANCE WITH THIS PLAN AND GENERALLY ACCEPTED STANDARDS IN EFFECT AT THE TIME OF CONSTRUCTION WHICH INCLUDE:

"RURAL WATER SUPPLY, NEW YORK STATE DEPARTMENT OF HEALTH."
"PLANNING THE SUBDIVISION AS PART OF THE TOTAL ENVIRONMENT, NEW YORK STATE DEPARTMENT OF HEALTH."
"DESIGN STANDARDS FOR WASTE TREATMENT WATER WORKS- 1988"
"NEW YORK STATE DEPARTMENT OF HEALTH AND ORANGE COUNTY DEPARTMENT OF HEALTH POLICIES, PROCEDURES AND STANDARDS."
"THIS PLAN IS APPROVED AS MEETING THE APPROPRIATE AND APPLIED TECHNICAL STANDARDS, GUIDELINES, POLICIES AND PROCEDURES FOR ARRANGEMENT OF SEWAGE DISPOSAL AND TREATMENT AND WATER SUPPLY FACILITIES."
ALL WELLS AND S.D.S. EXISTING OR APPROVED WITHIN 200' OF THE PROPOSED WELLS AND S.D.S. ARE SHOWN ON THIS PLAN ALONG WITH ANY OTHER ENVIRONMENTAL HAZARDS IN THE AREA THAT MAY AFFECT THE DESIGN AND FUNCTIONAL ABILITY OF THE S.D.S. AND WELL. IT SHALL BE DEMONSTRATED BY THE CONTRACTOR TO THE CERTIFYING ENGINEER THAT THE SEPTIC TANK IS SEALED, WATER TIGHT AND ACCEPTABLE FOR USE. THIS SHALL REQUIRE, AS A MINIMUM, THE FILLING OF THE TANK WITH WATER TO OBSERVE IF IT IS IN FACT SEALED, WATER TIGHT AND ACCEPTABLE FOR USE.
ALL PROPOSED WELLS AND SERVICE LINES ON THIS PLAN ARE ACCESSIBLE FOR INSTALLATION AND PLACEMENT.
TRENCH BOTTOMS TO BE SET PARALLEL TO EXISTING CONTOURS.

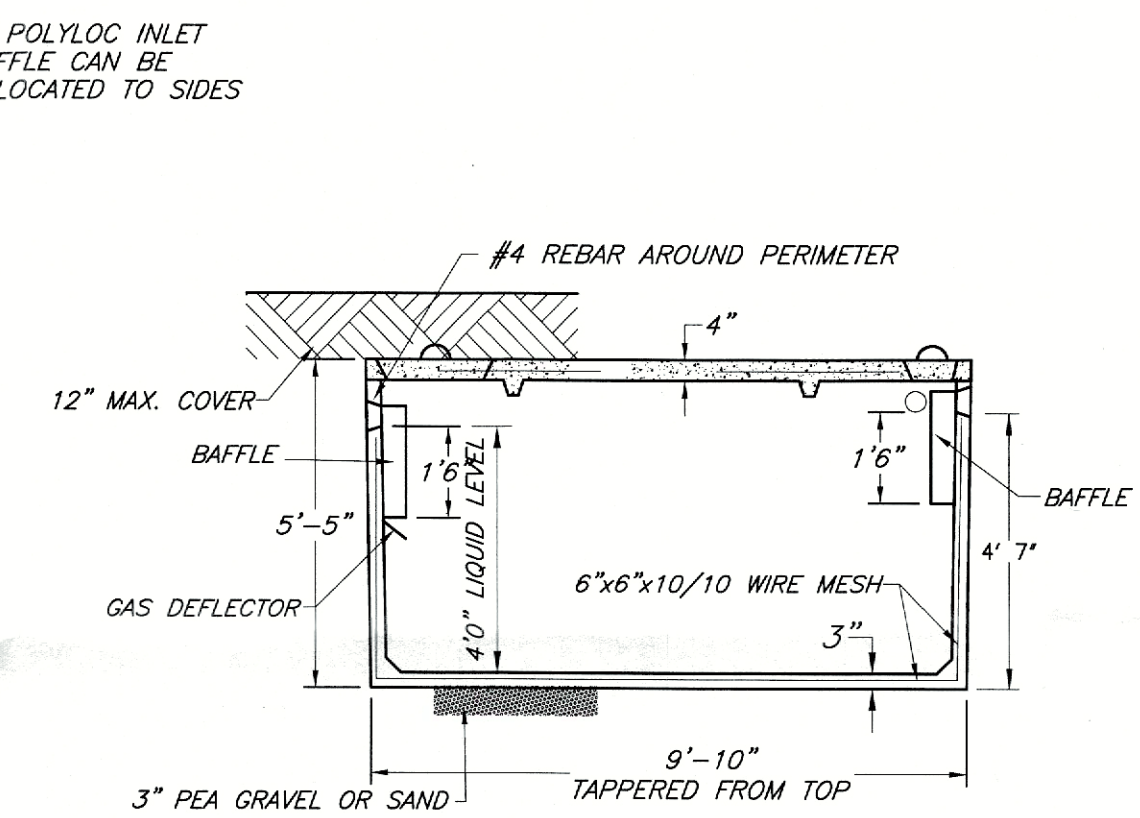
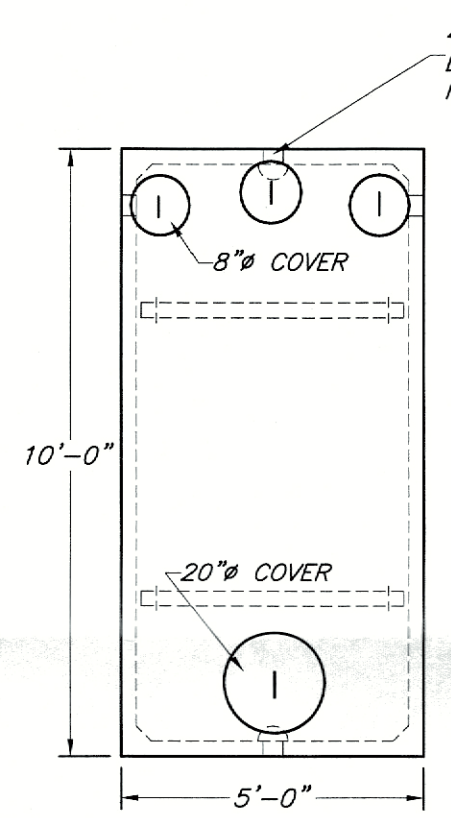


- NOTES:**
1. OUTLETS ARE TO BE SET AT THE SAME ELEVATION AND FLOW EQUALIZERS ARE REQUIRED.
2. OUTLETS MUST BE USED IN A MANNER THAT WILL ALLOW ACCESS TO THE EXPANSION AREA WITHOUT DISTURBING EXISTING PIPING



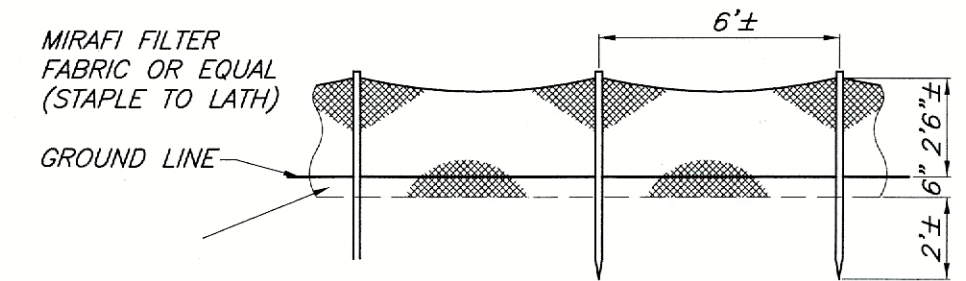
WOODARDS 12-HOLE DISTRIBUTION BOX
N.T.S.

SPECIFICATIONS
CONCRETE MINIMUM STRENGTH- 4,000 PSI AT 28 DAYS
REINFORCEMENT- 6"x6"10GA. WWF, #4 REBAR
AIR ENTRAPMENT- 5%
CONSTRUCTION JOINT- BUTYL RUBBER - BASE CEMENT
PIPE CONNECTION- POLYLOC SEAL (PATENTED)
LOAD RATING- 300PSF WEIGHT = 325LBS



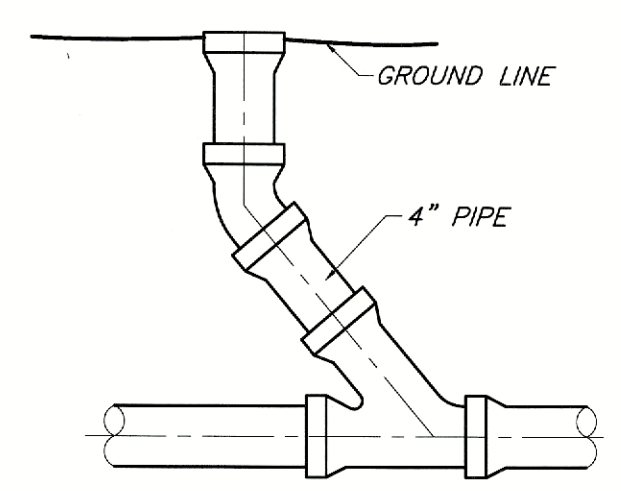
WOODARD'S 1250gal. SEPTIC TANK OR EQUAL
N.T.S.

SPECIFICATIONS
CONCRETE MINIMUM STRENGTH- 4,000 PSI AT 28 DAYS
REINFORCEMENT- 6"x6"10GA. WWF, #4 REBAR
AIR ENTRAPMENT- 5%
CONSTRUCTION JOINT- BUTYL RUBBER - BASE CEMENT
PIPE CONNECTION- POLYLOC SEAL (PATENTED)
LOAD RATING- 300PSF WEIGHT = 9,500LBS



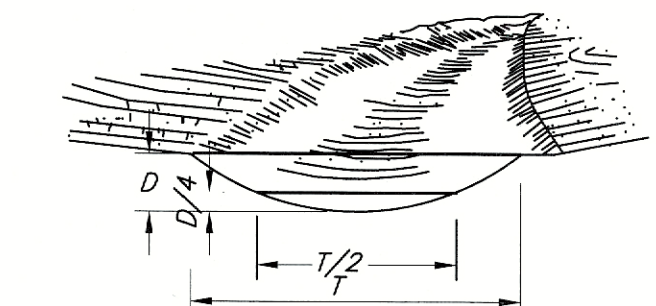
SILT FENCE DETAIL
N.T.S.

SILT FENCING IS TO BE INSTALLED PRIOR TO ANY CONSTRUCTION. EROSION CONTROL TO BE LOCATED ON THE DOWNHILL SIDE OF DISTURBED LAND. EROSION CONTROL LOCATIONS WILL VARY DEPENDING ON THE DIRECTION OF SLOPE FOR THE INDIVIDUAL LOTS.

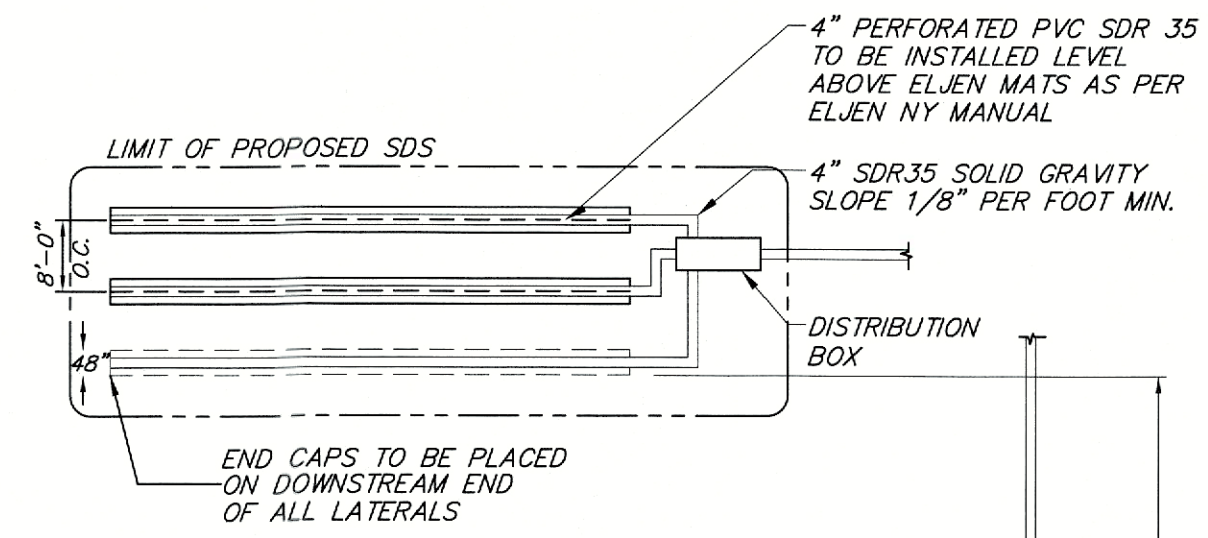


CLEANOUT DETAIL
N.T.S.

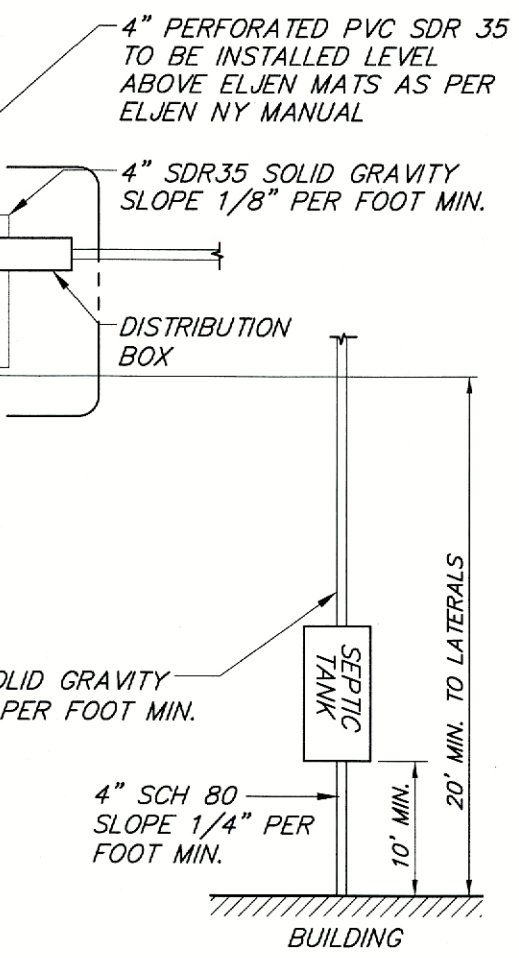
- TO BE INSTALLED EVERY 75' (MIN.) & AT BENDS OF 45' OR GREATER.
- TO BE INSTALLED BEFORE BEND AT ALL BEND LOCATIONS.
- TO BE INSTALLED WHERE PIPE DEFLECTION EXCEEDS 15' AT INTERSECTION WITH CONCRETE TANKS



GRASS-LINED SWALE
N.T.S.



TYPICAL PLAN VIEW (ELJEN SYSTEM)
N.T.S.



	WILLIAM J. MORRAU, P.E. ENGINEER	LYTLE SEPTIC DESIGN PLAN & DETAILS S.B.L.: 15-2-7, VALLEY VIEW DRIVE TOWN OF NEWBURGH ORANGE COUNTY, NEW YORK
	DATE: 08/04/23 SCALE: 1"=40' JOB NUMBER: 23-049-KAL SHEET NUMBER: 1 OF 2	